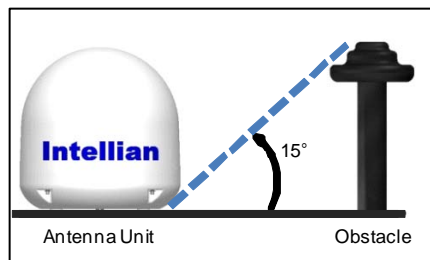


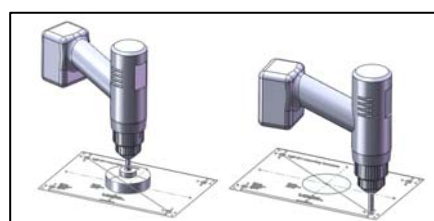
Intellian i3,i4,i6/i6P Quick Installation Guide

1. Select a location for the antenna.



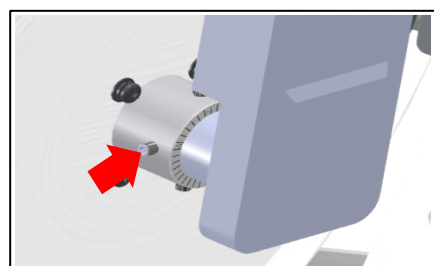
- Make sure nearby objects do not block the antenna.
- Avoid unnecessary motion by locating the antenna as near as to the centerline of the boat.

2. Prepare the mount



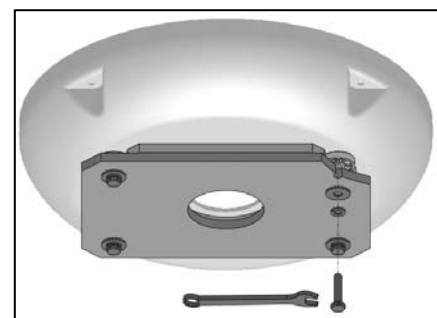
- Attach the installation template to the mounting surface using adhesive tape.
- Remove the shaded center portion by using a hole saw.
- Drill 4 bolt holes.

3. Prepare the Antenna



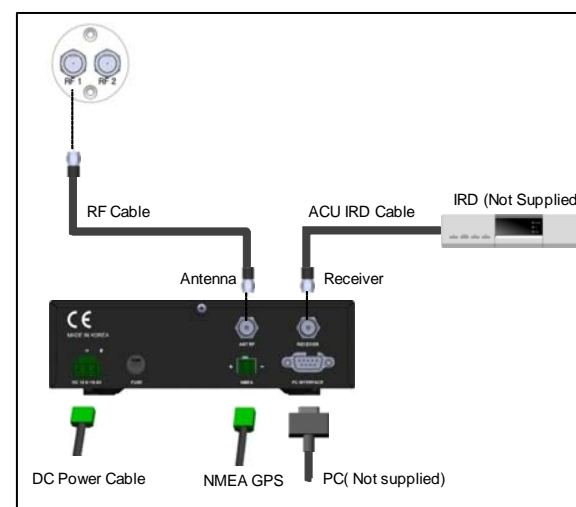
- Open the antenna upper dome and remove the foam transit restraints from the antenna base.
- Adjust the LNB Skew Angle (Linear Polarization Only).
-i6P has an embedded auto skew sensor which is not required to adjust.
 - ◆ Loosen screws of the connection of LNB and feed horn.
 - ◆ Tighten screws after adjusting the LNB position.

4. Secure the Antenna



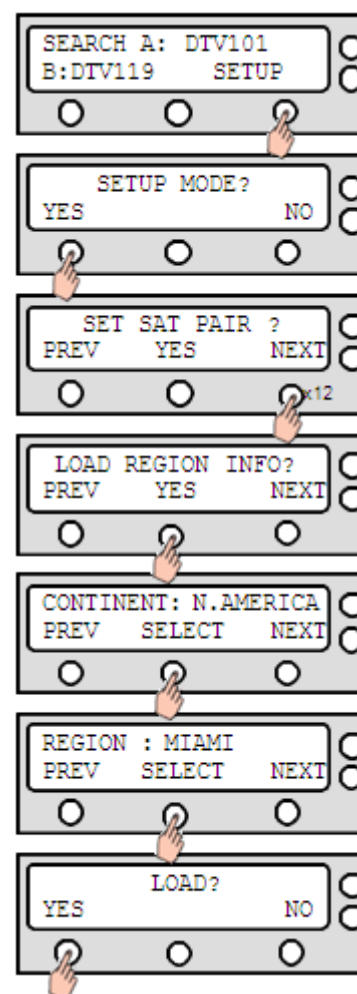
- Replace and secure the antenna dome.
- Secure the antenna to the mount base using bolts, spring washers, and flat washers.

5. Connect the System Cables



- Connect the RF Cable from the RF 1 connector on the antenna to the ANT. RF1 connector on the rear of ACU.
- Connect the ACU IRD Cable from the RECEIVER connector on the rear of the ACU to RF on the IRD.
- Connect the power cable from the DC power connector on the rear of ACU to a power source of DC (10.8-15.6V).

6. Set Region (Nation/City) in ACU



- Turn on the ACU power and you will see USA DTV101 and DTV 119 as the default.
- Please select your region (Nation/City) after selecting the continent. Once the SET REGION has been done, you will not need to adjust GPS and the target tracking satellites. The setting steps as below.
 - ◆ Enter SETUP MODE and Press NEXT 12 times to enter LOAD REGION INFO menu.
 - ◆ Select CONTINENT and Press NEXT to select alternative continents.
 - ◆ Select REGION and Press NEXT to select alternative Nation/City.
 - ◆ Press YES to load setting to your antenna.