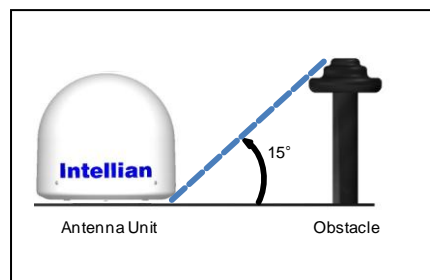


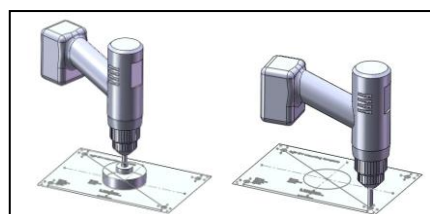
Intellian i2 Quick Installation Guide

1. Select a location for the antenna



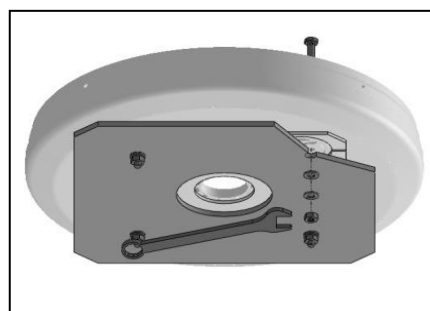
- Make sure nearby objects do not block the antenna.
- Avoid unnecessary motion by locating the antenna as near as to the centerline of the boat.

2. Prepare the mount



- Attach the installation template to the mounting surface using adhesive tape.
- Remove the shaded center portion by using a hole saw.
- Drill 4 bolt holes.

3. Secure the antenna



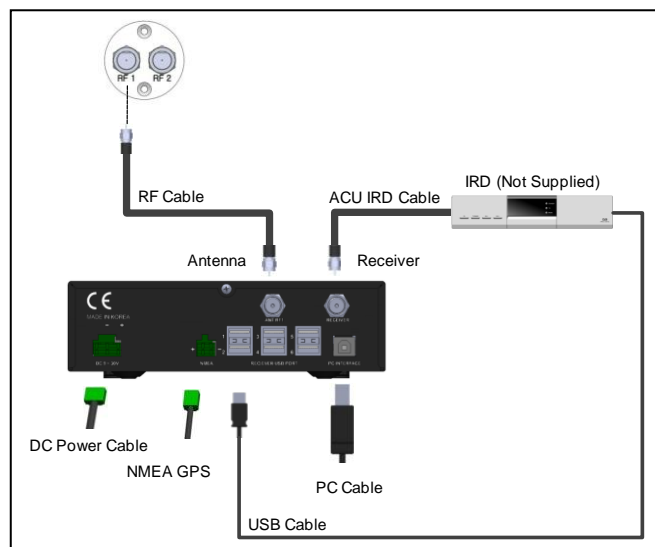
- Remove the shipping restrains and secure the antenna to the mount base using bolts, spring washers, and flat washers.



WARNING

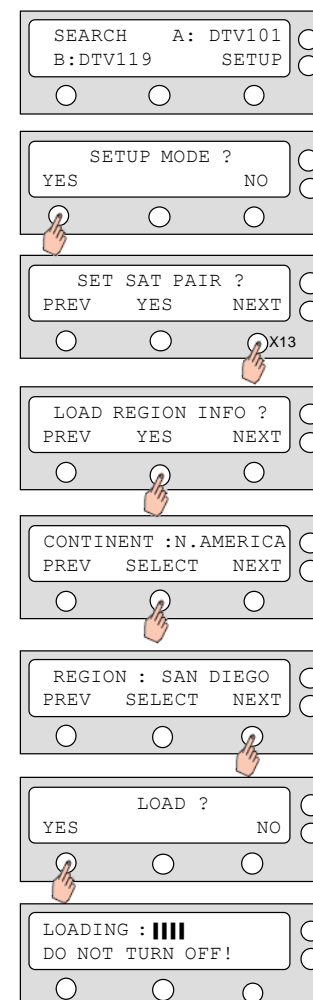
Be sure to put the radome on while operating the system. The system functions will be abnormal if the radome is off.

4. Connect the system cables



- Connect the RF Cable from the RF 1 connector on the antenna to the ANT. RF1 connector on the rear of ACU.
- Connect the ACU IRD Cable from the RECEIVER connector on the rear of the ACU to RF on the IRD.
- Connect the USB cable from the RECEIVER USB PORT 1 on the rear of the ACU to the USB connector on the IRD.
- Connect the power cable from the DC power connector on the rear of ACU to a power source of DC (9-30V).

5. Set Region (Nation/City) from ACU



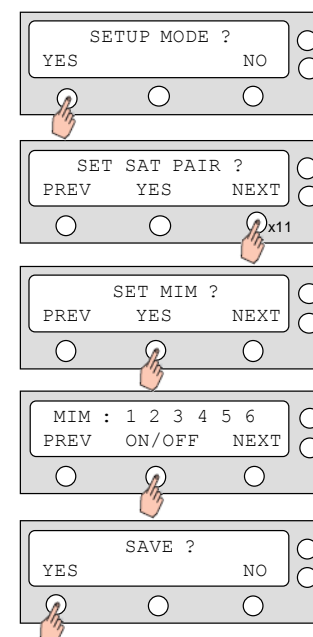
WARNING

- Turn on the ACU power and you will see USA DTV101 and DTV 119 as the default. *(The default CONTINENT is N. AMERICA and REGION is MIAMI.)*

The system functions will be abnormal if you do not set a correct continent and region.

- Please select your region (Nation/City) after selecting the continent. Once the SET REGION has been done, you will not need to adjust GPS and the target tracking satellites. The setting steps as below.
 - ◆ Enter SETUP MODE and Press NEXT 13 times to enter LOAD REGION INFO menu.
 - ◆ Select CONTINENT and Press NEXT to select alternative continents.
 - ◆ Select REGION and Press NEXT to select

6. Set MIM



- Each IRD connected to ACU can be a Master which can change the target satellite freely by selecting a channel.
- Follow the below steps to enable the Mater Control Function for IRD.
 - ◆ Enter SETUP MODE and Press NEXT 11 times to enter SET MIM menu.
 - ◆ Select YES to SET MIM.
 - ◆ Set MIM: 1 ON. *If you have multi-IRDs connected to the ACU, be sure to activate the MIM for the master function. Example: (1-3-5 -) means the master function is ON for IRD no. 1, 3, and 5 and is OFF for IRD no. 2, 4, and 6 at same time.*
 - ◆ Press YES to save the setting.